

The Motorcraft® Battery Product Line ...

*Complete Attention To Customer Satisfaction
and World Class Efficiency!*

- Motorcraft batteries cover automotive, marine, commercial, farm, industrial, and specialty applications.
 - 100-month limited pro rata/36-month FREE replacement on Tested Tough MAX (BXT) batteries.
 - 84-month limited pro rata/18-month FREE replacement on Motorcraft Tested Tough Plus Series (BXL) batteries.
 - 36-month limited pro rata/24-month FREE replacement on Motorcraft Fleet Tough/Extra batteries.
- NEW Super Duty Truck and SUV battery line**
- 48-month FREE replacement warranty.
- Ask your Motorcraft Retailer for details.**

Battery Specification Chart

BCI Group Size	Motorcraft Part Number	Cold Cranking AMPS (At 0° F)	Cranking AMPS (At 32° F)	Reserve Capacity (Minutes)	Maximum Dimensions Inches (mm)			Approx. Weight (Wet) LBS. (KG)
					Length	Width	Height	
TESTED TOUGH MAX								
12-Volt Post Terminals								
24	BXT-24	600	750	120	10.95 (278)	6.87 (174)	8.70 (221)	44 (20.0)
24F	BXT-24F	600	750	120	10.95 (278)	6.87 (174)	8.70 (221)	44 (20.0)
34	BXT-34	500	625	100	10.95 (278)	6.88 (175)	7.80 (198)	44 (20.0)
35	BXT-35	550	685	100	8.99 (228)	6.87 (174)	8.83 (224)	37 (16.8)
36R	BXT-36R	650	810	130	10.25 (260)	7.18 (182)	7.79 (198)	41 (16.1)
40R	BXT-40R	590	735	105	10.90 (277)	6.42 (174)	6.88 (175)	37 (16.9)
56	BXT-56	550	685	86	10.21 (259)	6.02 (153)	8.32 (211)	33 (15.0)
58	BXT-58	540	675	92	10.03 (255)	7.19 (183)	6.86 (174)	33 (15.0)
58R	BXT-58R	582	725	100	10.03 (255)	7.19 (183)	6.86 (174)	34 (15.4)
59	BXT-59	540	675	100	10.03 (255)	7.47 (190)	7.63 (194)	37 (16.8)
64	BXT-64	600	750	120	12.28 (312)	6.23 (158)	8.83 (224)	46 (20.9)
65	BXT-65-650	650	810	130	12.03 (306)	7.47 (190)	7.63 (194)	42 (19.1)
65	BXT-65-750	750	935	140	12.03 (306)	7.47 (190)	7.63 (194)	49 (22.2)
65	BXT-65-850	875	1090	165	12.03 (306)	7.47 (190)	7.63 (194)	52 (23.6)
66	BXT-66-650	650	810	130	12.03 (306)	7.47 (190)	7.63 (194)	44 (20.0)
66	BXT-66-750	750	935	140	12.03 (306)	7.47 (190)	7.63 (194)	49 (22.2)
96R	BXT-96R	500	625	90	8.97 (228)	6.30 (173)	6.88 (175)	32 (14.5)
12-Volt Side Terminals								
75	BXT-75	550	685	93	9.68 (246)	7.62 (194)	7.22 (183)	32 (14.5)
12-Volt Dual Terminals								
7586DT	BXT-7586	700	875	100	9.71 (246)	7.24 (184)	8.96 (228)*	37 (16.8)
3478DT	BXT-3478	800	1000	110	11.00 (279)	7.24 (184)	8.96 (228)*	42 (19.1)
TESTED TOUGH PLUS								
12-Volt Post Terminals								
24	BXL-24	460	575	80	10.95 (278)	6.87 (174)	8.70 (221)	36 (16.3)
24F	BXL-24F	460	575	80	10.95 (278)	6.87 (174)	8.70 (221)	36 (16.3)
26	BXL-26	525	655	85	8.71 (221)	6.78 (172)	7.80 (198)	30 (13.6)

*Includes height (20mm) of bottom spacer

NOTE: Battery specifications are subject to change without notice.

Product Information

Battery Specification Chart

BCI Group Size	Motorcraft Part Number	Cold Cranking AMPS (At 0° F)	Cranking AMPS (At 32° F)	Reserve Capacity (Minutes)	Maximum Dimensions Inches (mm)			Approx. Weight (Wet) LBS. (KG)
					Length	Width	Height	
TESTED TOUGH PLUS								
12-Volt Post Terminals								
26R	BXL-26R	525	655	81	8.71 (221)	6.78 (172)	7.80 (198)	30 (13.6)
27	BXL-27	600	750	118	12.73 (323)	6.86 (174)	8.70 (221)	44 (20.0)
27F	BXL-27F	600	750	118	12.73 (323)	6.86 (174)	8.70 (221)	44 (20.0)
35	BXL-35	490	610	100	8.99 (228)	6.88 (175)	8.83 (224)	35.7 (16.2)
40R	BXL-40R	650	810	120	10.90 (277)	6.42 (174)	6.88 (175)	38 (17.2)
41	BXL-41	650	810	110	12.22 (310)	6.86 (174)	6.85 (174)	39 (17.7)
42	BXL-42	400	500	71	9.63 (245)	6.86 (174)	6.60 (168)	29 (13.2)
45	BXL-45	480	600	74	9.66 (245)	5.47 (139)	8.80 (224)	32 (14.5)
47P	BXL-47P	590	735	85	9.62 (244)	6.85 (174)	7.92 (176)	35 (15.9)
48	BXL-48	700	875	120	11.35 (288)	6.88 (175)	6.89 (175)	37.4 (17)
49	BXL-49	750	935	130	14.28 (363)	6.88 (175)	6.89 (175)	49 (22.2)
50	BXL-50	600	750	108	13.15 (334)	5.28 (134)	10.00 (254)	46 (20.9)
51	BXL-51	410	510	70	9.38 (238)	5.06 (129)	8.82 (223)	26.2 (11.9)
51R	BXL-51R	410	510	70	9.38 (238)	5.06 (129)	8.82 (223)	26.2 (11.9)
56	BXL-56	475	590	68	10.21 (259)	6.02 (153)	8.32 (211)	32 (14.5)
58	BXL-58	420	525	75	10.03 (255)	7.19 (183)	6.86 (174)	33 (15.0)
58R	BXL-58R	540	675	100	10.03 (255)	7.19 (183)	6.86 (174)	33 (15.0)
59	BXL-59	490	610	100	10.03 (255)	7.47 (190)	7.63 (194)	36 (16.3)
65	BXL-65	675	840	130	12.03 (306)	7.47 (190)	7.63 (194)	41.8 (19.0)
12-Volt Side Terminals								
70	BXL-70	525	655	85	8.71 (221)	6.77 (172)	7.45 (189)	30 (13.6)
78	BXL-78A	660	825	115	10.95 (278)	7.62 (194)	7.44 (189)	39 (17.9)
96R	BXL-96R	590	735	95	8.97 (228)	6.30 (173)	6.88 (175)	33 (15.0)
12-Volt Dual Terminals								
7586DT	BXL-7586	550	700	90	9.71 (246)	7.24 (184)	8.96 (228)	33.7 (15.3)
3478DT	BXL-3478	570	710	105	11.00 (279)	7.24 (184)	8.96 (228)	41 (18.6)
A1 POWER SERIES								
12-Volt Post Terminals								
26	BUC-26	400	500	71	8.71 (221)	6.78 (172)	7.80 (198)	27 (12.2)
26R	BUC-26R	400	500	71	8.71 (221)	6.78 (172)	7.80 (198)	27 (12.2)
56	BUC-56	475	590	68	10.21 (259)	6.02 (153)	8.32 (211)	32 (14.5)
58	BUC-58	400	500	75	10.03 (255)	7.19 (183)	6.86 (174)	30 (13.6)
12-Volt Side Terminals								
70	BUC-70	400	500	70	8.71 (221)	6.77 (172)	7.45 (189)	27 (12.2)
12-Volt Dual Terminals								
7586DT	BUC-7586	450	560	75	9.71 (246)	7.24 (184)	8.96 (228)	30.3 (13.7)
MARINECRAFT SERIES								
24	BHA-24M	500	625	95	10.95 (278)	6.87 (174)	9.51 (241)	38 (17.2)
24	BH-24MDC	550	700	140	10.95 (278)	6.87 (174)	9.51 (241)	40 (20.0)
27	BH-27MDC	600	750	160	12.73 (323)	6.85 (174)	9.51 (241)	51 (23.2)
29	BH-29MDC	675	840	210	12.98 (330)	6.77 (172)	9.98 (255)	56 (26.6)

*Includes height (20mm) of bottom spacer

NOTE: Battery specifications are subject to change without notice.

Battery Specification Chart

BCI Group Size	Motorcraft Part Number	Cold Cranking AMPS (At 0° F)	Cranking AMPS (At 32° F)	Reserve Capacity (Minutes)	Maximum Dimensions Inches (mm)			Approx. Weight (Wet) LBS. (KG)
					Length	Width	Height	
SUPER DUTY TRUCK AND SUV SERIES								
12-Volt Post Terminals								
27	BSD-27	750	935	135	12.73 (323)	6.86 (174)	8.70 (221)	50 (22.9)
27F	BSD-27F	675	840	160	12.73 (323)	6.86 (174)	8.70 (221)	50 (22.9)
34	BSD-34	685	855	120	10.95 (278)	6.88 (175)	7.80 (198)	41 (18.5)
65	BSD-65	900	1125	150	12.03 (306)	7.47 (190)	7.63 (194)	47 (21.5)
12-Volt Side Terminals								
75	BSD-75	720	900	100	9.68 (246)	7.62 (194)	7.22 (183)	36 (15.7)
78	BSD-78	800	1000	110	10.95 (278)	7.62 (194)	7.44 (189)	39 (17.8)
FLEET TOUGH / COMMERCIAL SERIES								
12-Volt								
4D	BH-4DW	1000	1250	295	20.90 (531)	8.28 (210)	9.58 (223)	101 (45.8)
8D	BH-8DW	1155	1445	380	20.69 (525)	10.97 (279)	9.60 (244)	126 (57.1)
24CP	BH-24CP	650	815	120	10.95 (278)	6.87 (174)	8.70 (221)	44 (20.0)
27	BH-27A	725	900	150	12.73 (323)	6.86 (174)	8.70 (221)	49 (22.2)
29H	BH-29H	660	825	160	12.98 (330)	6.77 (172)	9.28 (236)	54 (24.3)
29NF	BH-29NF	420	525	77	13.24 (336)	5.54 (141)	8.96 (228)	40 (18.1)
12-Volt Deep Cycle								
50	BH-50DC	400	500	85	13.15 (334)	5.28 (134)	10.00 (254)	47 (21.5)
65	BH-65DC	650	810	130	12.03 (306)	7.47 (190)	7.63 (194)	44.1 (20.0)
6-Volt								
1	BH-1W	575	720	160	8.89 (226)	6.81 (173)	8.77 (223)	33 (15.0)
2	BH-2W	600	750	170	10.24 (260)	6.98 (177)	9.06 (231)	37 (16.8)
4	BH-4W	800	1000	250	12.63 (321)	6.98 (177)	9.37 (238)	49 (22.2)
FLEET TOUGH / EXTRA								
12-Volt								
31	BH-31	660	780	160	13.00 (330)	6.78 (172)	9.35 (237)	55 (24.9)
31	BH-31-XL	750	940	180	13.00 (330)	6.78 (172)	9.35 (237)	60 (27.2)
31	BH-31-XT	950	1190	185	13.00 (330)	6.78 (172)	9.35 (237)	61 (27.6)
31	BH-31P-XL	750	940	180	13.00 (330)	6.78 (172)	9.35 (237)	59 (26.8)
31	BH-31P-XT	950	1190	195	13.00 (330)	6.78 (172)	9.35 (237)	60 (27.2)
12-Volt Deep Cycle								
31	BH-31DC	625	780	180	13.00 (330)	6.78 (172)	9.35 (237)	61 (27.6)
LAWN / UTILITY								
12-Volt								
U1	BHB-U1	230	290	30	8.24 (209)	5.19 (132)	7.20 (183)	18 (8.2)
U1	BHC-U1	160	200	20	8.24 (209)	5.19 (132)	7.20 (183)	16 (7.3)
22NF	BH-22NF	390	485	62	9.66 (245)	5.47 (139)	8.80 (224)	29 (13.2)
GOLF CAR / UTILITY								
6-Volt Deep Cycle								
GC2	BH-GC2	100 min. @ 75 Amps			10.19 (259)	7.03 (179)	11.19 (284)	40 (18.1)

*Includes height (20mm) of bottom spacer

NOTE: Battery specifications are subject to change without notice.

BCI/DIN/EN Reference Chart

BCI Group Number	BCI Assembly Figure	European Reference Information								
		Dimensions (mm)			Hold Down (see below)	Lifting Ledge	Positive Terminal Location	DIN Codes		EN Codes
		Length	Width	Height						
40R	15	278	175	175	B1	No	Right	T6	LB3	66LB
41	15	293	175	175	B4	No	Right	T65	N/A	54LB
42	15	242	175	175	B2	No	Right	T5	LB2	45LB
47	24	242	175	190	B3	Yes	Right	H5	L2	55L2
48	24	278	175	190	B3	Yes	Right	H6	L3	66L3
49	24	354	175	190	B3	Yes	Right	H8	L5	88L5
66	13	306	192	194	B8	Yes	Left	N/A	N/A	N/A
90	24	242	175	175	B3	Yes	Right	T5	LB2	45LB
91	24	278	175	175	B3	Yes	Right	T6	LB3	66LB
92	24	315	175	175	B3	Yes	Right	T7	LB4	77LB
93	24	354	175	175	B3	Yes	Right	T8	LB5	88LB
94R	24	315	175	190	B3	Yes	Right	H7	L4	77L4
95R	24	394	175	190	B3	Yes	Right	H9	L6	
96R	15	242	175	175	B1	No	Right	T5	LB2	45LB
97R	15	252	175	190	B4	No	Right	H5	L2	55L2
98R	15	283	175	190	B4	No.	Right	H6	L3	66L3
99	34	207	175	175	B1	Yes	Left	T4	LB1	36LB
N/A	N/A	175	175	190	B3	Yes	Right	H3	L0	32L0
N/A	N/A	207	175	190	B3	Yes	Right	H4	L1	45L1
N/A	N/A	175	175	175	B3	Yes	Right	T3	LB0	

HOLD DOWN DESCRIPTIONS

Caution: These are common hold down types, but others may be used.

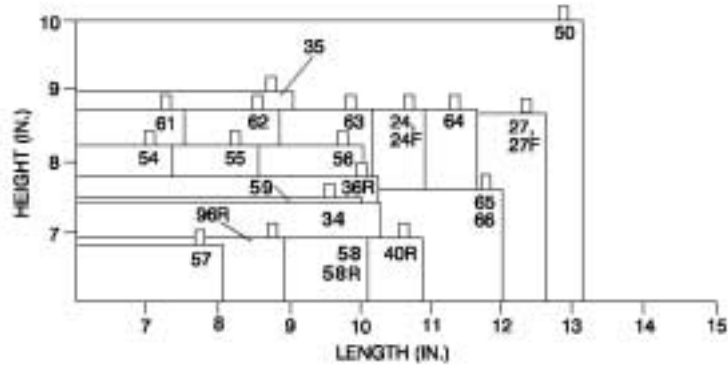
- B1** = 10.5 mm high with 3 or 5 notches on sides only.
- B2** = 10.5 mm high with 2 notches on front and 1 on back or sides only.
- B3** = 10.5 mm high on sides only with 3 or 5 notches on sides and 3 notches on ends.
- B4** = 19.0 mm high on sides only with 3 or 5 notches on sides only.
- B5** = 29.0 mm high without notches on ends only.
- B8** = 13.5 mm high without notches on sides only.
- B9** = Bottom slots on sides and 29.0 mm high without notches on ends.

NOTE: This guide is supplied as reference material only. Refer to Application Section for Specific Battery Application.

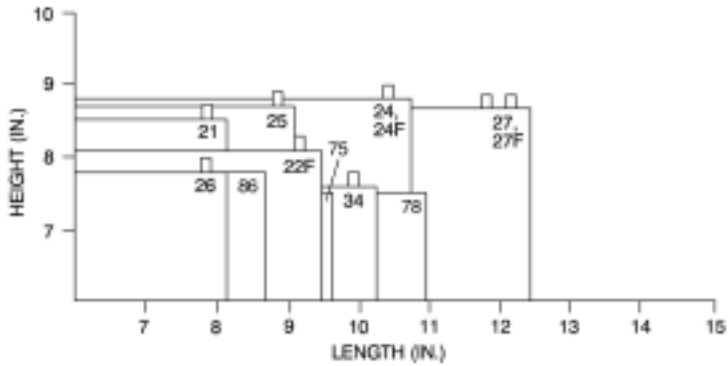
Group Size Dimensions

Battery dimensions are rounded to 1/10".

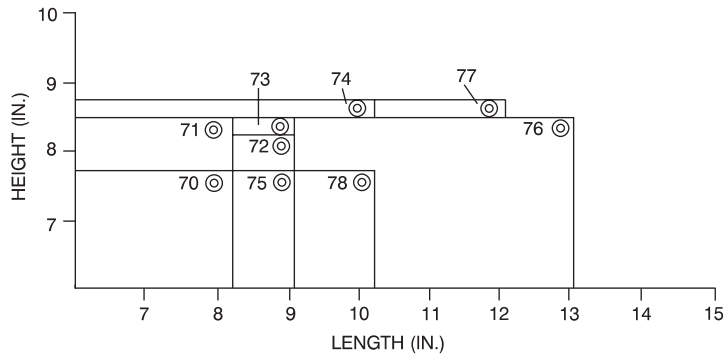
Ford



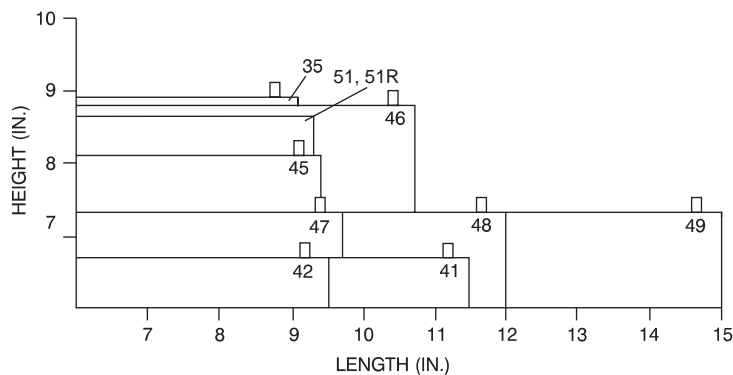
AMC/ Daimler Chrysler/ Imports



General Motors

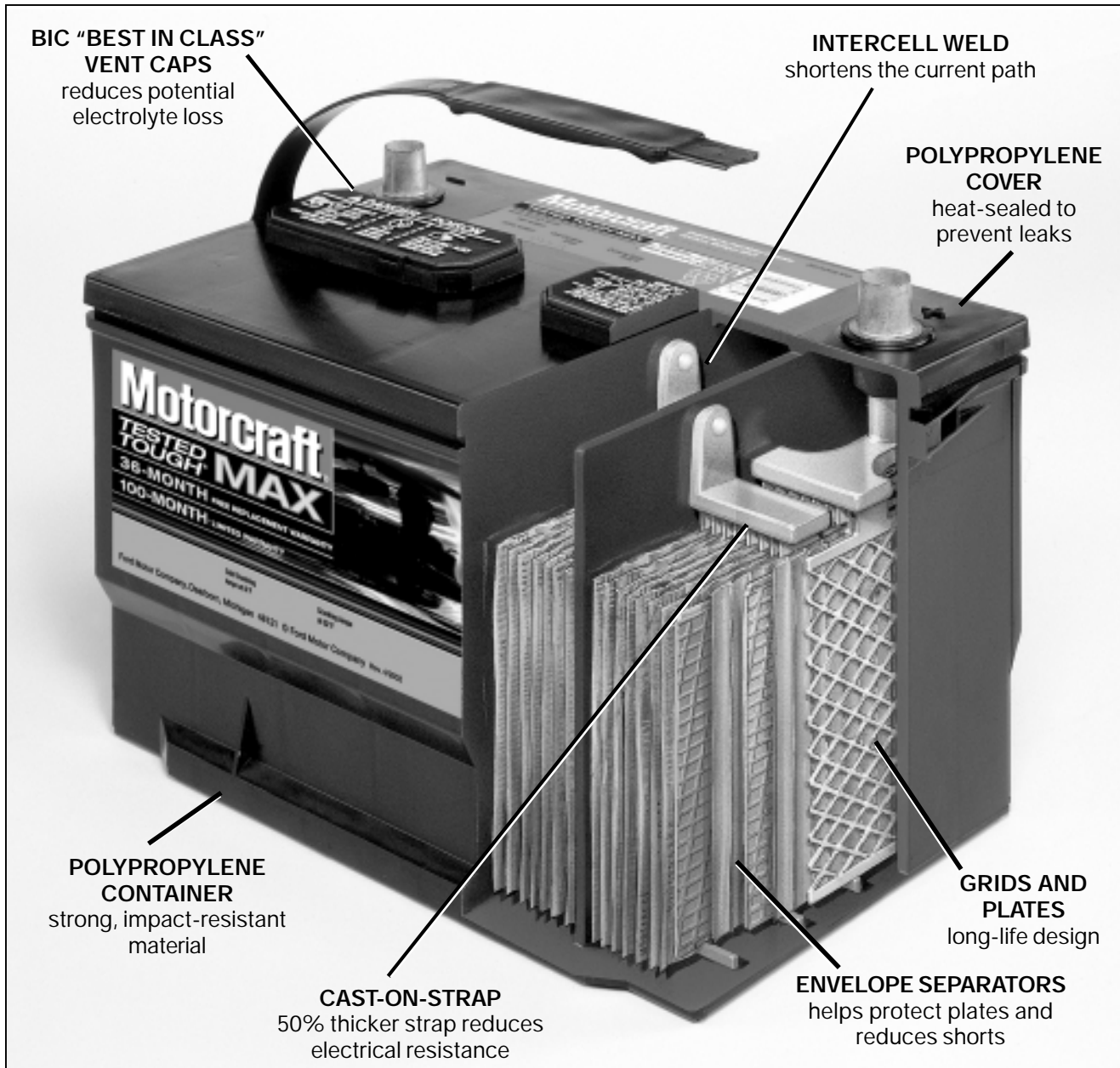


Imports



Motorcraft® Batteries ...

Designed To Deliver Superior Performance





Why You Should Buy Motorcraft® Replacement Batteries

State-Of-The-Art Battery Technology

- Motorcraft batteries are manufactured using the highest quality standards and the latest technology in design and engineering. The Tested Tough Max long-life design is only one example.
- Wide range of coverage in automotive, marine, commercial, farm, industrial, and specialty applications that meets or exceeds industry standards.

Genuine Parts

- Motorcraft Tested Tough Max batteries are the **ONLY Authorized Original Equipment Replacement** for all Ford, Lincoln and Mercury vehicles.
- Motorcraft batteries are the best replacement part both in fit and function.
- Motorcraft batteries supply the power required for today's high technology vehicles.

Outstanding Warranty Coverage:

- **BXT-Series batteries**
100-month (8+ years) unlimited mileage, limited/36-month (3 year) FREE replacement.
- **BXL-Series batteries**
84-month (7-year) unlimited mileage, limited/18-month FREE replacement.
- **BSD-Series batteries for trucks, vans and SUVs**
48-month FREE replacement warranty.
- **Fleet Tough/Extra batteries**
36-month (3-year) unlimited mileage, limited/24-month (2-year) FREE replacement.

Value

- Competitively priced.
- Motorcraft batteries have a low "cost of ownership" compared to competitive battery lines.

Feature	BXT-Series	BXL-Series	BSD-Series
Technology	Long-Life Design	Heat Resistant Alloy	Highest Cranking Design
Warranty Coverage	100 Months	84 Months	48 Months
FREE Replacement Period	3 Years	1.5 Years	4 Years
Mileage Warranty	Unlimited	Unlimited	Unlimited

Motorcraft's Product Line Up

Batteries For People On The Move



Tested Tough Max

Original Equipment Premium Quality Replacement

- Motorcraft Tested Tough Max (BXT) batteries are made with a long-life design that provides superior performance over conventional designs in high heat conditions.
- Tested Tough Max state-of-the-art technology enhances battery longevity and reduces recharging time.
- Limited Warranty: 100 months, unlimited mileage
- Replacement Period: 36 months FREE

Tested Tough Plus

High Quality Replacement

- Available in both top and side post configurations, Tested Tough Plus batteries are a real value.
- Fits a wide variety of vehicle applications. Includes an adapter/spacer as required.
- Limited Warranty: 84 months, unlimited mileage
- Replacement Period: 18 months FREE



Tested Tough Super Duty

Highest Cranking Performance

- Provides superior cranking performance
- Targeted for truck and sport utility vehicles
- Available in both top and side terminal designs
- Replacement Period: 48 months FREE

Dual Terminal

Universal Replacement

- The 7586 and 3478 group sizes offer the application flexibility of a dual terminal battery at a competitive price.
- Motorcraft offers dual terminal batteries in the Tested Tough Max, Tested Tough Plus and A1 Power series.
- With the adapter/spacer, the dual terminal battery fits many car and light truck applications.



A-1 Power

Economy Replacement

- The A-1 Power Series (BUC) is the affordable quality alternative for the budget conscious shopper.
- Broad market coverage with five part numbers
- Limited Warranty: 40 months, unlimited mileage
- Replacement Period: 12 months FREE

Motorcraft's Product Line Up

Batteries For People On The Move



Fleet Tough/EXTRA Batteries

- Specially designed for the stop and go conditions encountered by local city delivery and material transport vehicles.
- Fleet Tough/EXTRA provides the right blend of cold cranking amps and reserve capacity to keep vehicles running and minimize downtime.
- Single port venting cuts electrolyte loss, reduces terminal corrosion, and allows for remote venting.
- Limited Warranty: 36 months, unlimited mileage
- Replacement Period: 24 months FREE

Fleet Tough Commercial Batteries

- Using a lead hybrid chemistry, these batteries provide the tremendous cranking power required for tractor/trailer, farm, and specialty applications.
- A variety of 6 and 12 volt batteries are available.
- Limited Warranty: 30 or 36 months, unlimited mileage
- Replacement Period: 12 months FREE



Marinecraft™ Batteries

- Available as deep cycle and starting batteries
- Marinecraft batteries work with electrical systems for all types of recreational and sport activities.
- Deep cycle technology enables the battery to resist shedding during deep discharges.
- Limited Warranty: 24 or 30 months
- Replacement Period: 3 months FREE

Specialty Batteries

- Despite the diverse and unique array of applications, all engines depend on an electrical charge to get them started.
- Equipped with the technical requirements necessary for all-purpose performance.
- From road graders to grain harvesters, golf cars, lawn mowers, and sump pumps, quality Motorcraft Specialty batteries fit the bill.
- Limited Warranty: 20 or 30 months
- Replacement Period: 3 months FREE



Motorcraft® Tested Tough Max Series Batteries

*The Only Authorized Original Equipment Replacement
for All Ford, Lincoln and Mercury vehicles.*



Your Premium Quality Battery Choice in any Environment

The Motorcraft Tested Tough Max is one of the best batteries available. It uses state-of-the-art technology to provide sure starts in nearly any environment.



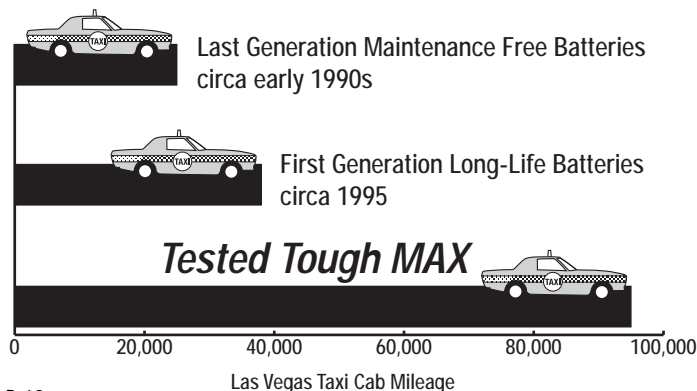
8+
YEARS

*3 Year FREE Replacement
Unlimited Mileage*

Key Performance Points

Feature	Performance	Benefit
Long-Life Design	Optimized grid design with reduced corrosion	Increases battery life in high heat environments
Envelope Separators	Reduced resistance	Adds to longer battery life
Special Additive	Accelerated chemical reaction	Reduces the time it takes to recharge the battery
Warranty Coverage	100-month, unlimited mileage, limited pro rata/36-month FREE replacement	Backed by a nationwide warranty for peace of mind

Las Vegas Taxi Cab Test Results*



*The BXT-65-650 was tested in the demanding climate of Las Vegas, Nevada, under stop and go conditions. Individual battery results may vary.

Motorcraft® Tested Tough Plus Series Batteries

Power When You Need It!



The High Quality Replacement Battery

Motorcraft Tested Tough Plus batteries provide high quality electrical componentry. Housed in a temperature resistant, thermally fused, polypropylene case, the vibration resistant conductor plates are enhanced by computer designed grids. This design enables current to take a more efficient, direct path towards the terminal posts.



7
YEARS

*18 Months FREE Replacement
Unlimited Mileage*

Key Performance Points

Feature	Performance	Benefit
Heat Resistant Construction	Reduced corrosion	Increases battery life and ensures longer cycle life
Envelope Separators	Reduced electrical resistance	Adds to longer battery life
Computer Aided Grid Design	Maximizes current flow	Provides top cold cranking performance
Warranty Coverage	84-month, unlimited mileage, limited pro rata/18-month FREE replacement	Backed by a nationwide warranty for peace of mind

NEW Super Duty Battery Line... BSD-Series



Targeted for your truck, van or sport utility vehicle



Powerful
Tough
Stamina

High CCA ratings for cold starting power
Impact resistant polypropylene case
High reserve capacity for increased cycling

Feature	Performance	Benefit
Computer-Aided Grid Design	Maximizes current flow	Highest CCA batteries we offer! Sure starts and high performance in all types of weather.
Heat Resistant Grid Alloy	Reduced life-shortening grid corrosion	Extends battery life
Envelope Separators	Reduced resistance	Extends battery life
Mileage Warranty	4-Year unlimited mileage warranty	Longest free replacement warranty we offer!